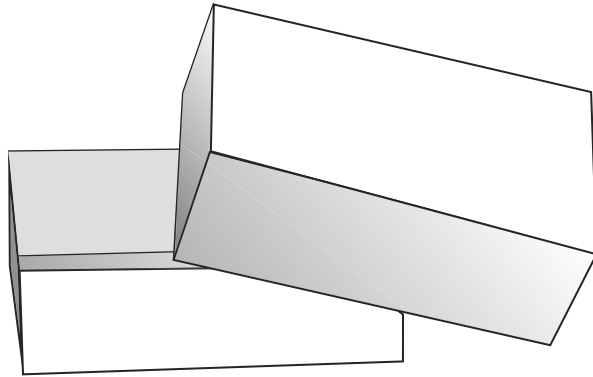
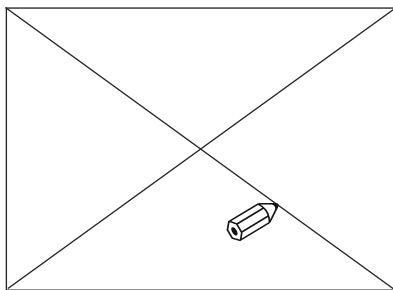


# SMALL BOX WITH A LID

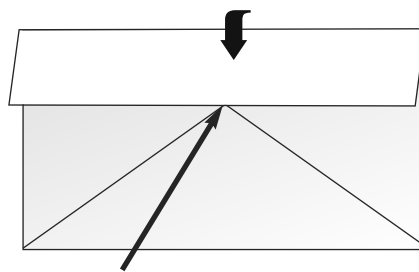


## MATERIALS

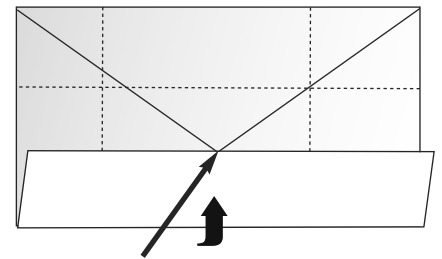
- 1 Piece of Cardstock Paper for Box TOP  
13.9 cm x 21.6 cm (5.5" x 8.5")
- 1 Piece of Cardstock Paper for Box BOTTOM  
13.3 cm x 20.9 cm (5.25" x 8.25")
- Pencil
- Ruler
- Crayola® Washable Glue Stick
- Crayola Scissors



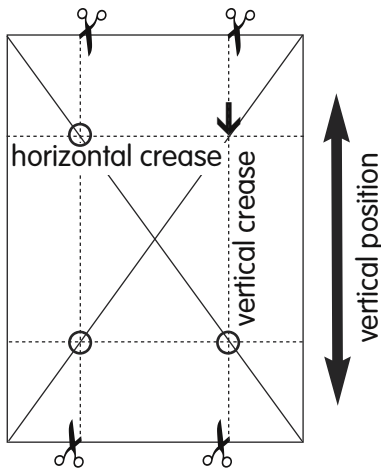
1. Draw an X from one corner to the other on the back of the paper.



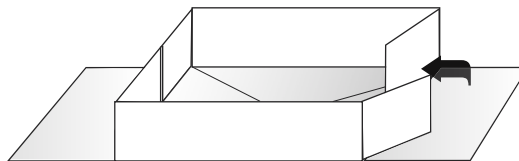
2. Fold 1 side of the paper into the centre so that it lines up with the centre of the X. Make the fold flat and crisp.



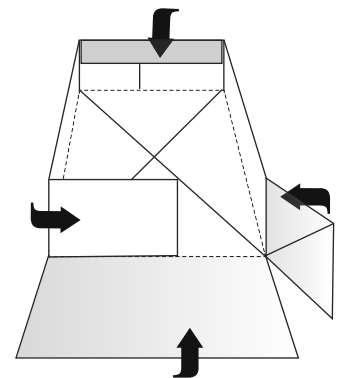
3. Unfold the paper and repeat for the other side and the 2 ends of the paper. You should have made 4 folds.



4. Hold the paper in the VERTICAL position. Cut along the vertical crease in an outside corner and stop at the intersection of the horizontal crease. Repeat in all 4 corners.



5. Place the paper on the desk. Fold the long sides of the paper up along the creases and at right angles to the desk. Fold the ends in and at right angles to the sides. Glue them to each other to form the end of the box.



6. Apply lots of glue to the middle rectangle at the end of the paper. Fold that rectangle up and at a right angle to the desk. Fold the top edge down over the end flaps. Glue it into place.